

# Installation and Service Manual

# AEROFLO

**AFX SERIES  
HEATERS  
GAS FIRING**



## **Notice**

**Read These Instructions before Installation**



## TABLE OF CONTENTS

	Page
Section I. – General Information .....	2
A. Purpose .....	2
B. Shipping .....	2
C. Optional Factory Service .....	2
D. Equipment Description .....	2
Section II. – Installation Procedure .....	4
A. Handling the Equipment .....	4
B. Positioning the Unit .....	4
C. Location of accessories .....	6
D. Electrical connections .....	6
E. Piping Connections .....	6
F. Exhaust Duct Connection .....	9
G. Combustion Air Openings .....	9
H. Optional Remote Control Panel Instructions.....	10
Section III. – Pre-Start Inspection .....	13
A. Procedure .....	13
Section IV. – Start-up .....	13
A. Procedure .....	13
Section V. – Maintenance Schedule and Lubrication Requirements ...	18
A. Maintenance Schedule .....	18
B. Lubrication Instructions .....	19
Section VI. – Troubleshooting .....	20
A. Troubleshooting Gas-Fired Units .....	20
B. General Troubleshooting Tips .....	20

## SECTION I. – GENERAL INFORMATION

### A. PURPOSE

The purpose of this manual is to present a guide for proper installation, maintenance, and operation of Aeroflo AFX Series heaters, and to supplement, but not to replace, the services of qualified field service personnel to supervise the initial start-up and adjustment of the Aeroflo unit. Persons without previous experience with large commercial and industrial equipment should not attempt the initial adjustment and checkout procedure which is essential before such installations may be considered as ready for operation. This manual should be made readily available to operating personnel as an aid in trouble-shooting and proper maintenance.

### B. SHIPPING

All Aeroflo units are shipped in three sections: fan section, heating section, and discharge section. These sections have been designed to facilitate field installation. All options and accessories are shipped mounted and wired whenever possible within the limitations of shipping and handling. Any wired accessories which have been disassembled for separate shipment require no additional conduit or wire for field reassembly. All wire leads will be tagged for ease of reconnection in the field.

Shipments are made F.O.B. Hastings, Nebraska, by truck. In either case, the unit is securely strapped, tied, and blocked to prevent shipping damage. All shipments are checked by an inspector before they are accepted by the carrier. Parts that are shipped unmounted are noted on the bill of material. These parts, where feasible, are packaged and shipped with the units. Upon receipt of shipment, all units should be checked against the bill of lading to insure all items have been received. The units should be checked carefully for physical damage in the presence of the carrier's representative. If parts are missing or damage has occurred, a claim should be filed immediately with the carrier.

All Aeroflo units are given a complete operations test and control circuit checkout before shipment. A copy of the flame test report, wiring diagram, and bill of material is included with each unit shipped. If correspondence with the factory is necessary, please provide the unit model and serial number.

### C. OPTIONAL FACTORY SERVICE

Periodic service on any piece of mechanical equipment is necessary for efficient operation. Hastings HVAC, Inc. has a nationwide service organization available to make quick and dependable servicing of make-up air, return air, heating, ventilating, or air handling types of equipment. Hastings HVAC, Inc. also provides factory start-up service which includes the presence of a service engineer to perform the initial start-up and adjustment of the equipment, instruction of the owner's maintenance personnel in proper operation and maintenance, and return calls for any adjustments required to a particular unit within a period of sixty (60) days after start-up is complete. Customer's loss of power or fuel will not constitute need for any return calls. Consult the factory for quotations on periodic or start-up service.

### D. EQUIPMENT DESCRIPTION

The Aeroflo heater is a rugged floor-mounted industrial grade space heater that achieves uniform building temperature, moisture control, and maximum heating

efficiency using the principle of low velocity constant air circulation to heat large air volumes to lower temperatures. Refer to Bulletin AFX-1 for additional details.

#### 1. Cabinet and Frame

Rugged tubular frame and all aluminized steel cabinet surfaces are painted with heat and corrosion resistant industrial enamel. Unit includes four side return air screens. An expanded metal, low velocity discharge plenum with either two, three, or four sides screened is standard.

#### 2. Fans

There are two heavy-duty, 10 gauge, turbine-bladed propeller fans each with a one-piece solid shaft and self-aligning pre-lubricated ball bearings. Fixed drives are standard on all units. A premium efficiency open dripproof ball bearing squirrel cage induction T-frame motor is provided as standard for all voltages.

#### 3. Burners

Standard burner is Hi-Lo-Off

Gas (G) – Power type with pilot spark ignition and main burner pilot ignition for use with natural, manufactured, mixed, liquefied petroleum gas or liquefied gas/air mixture. Included in the manifold are main gas electric shut-off valve with linkage to combustion air damper, main and pilot gas pressure regulators for maximum inlet pressure of 1 PSIG, pilot gas-air mixer and pilot solenoid valve. Minimum standard entering gas pressure is 4 ounces.

#### 4. Fuel and Electric Controls

Standard components for Aeroflo AFX Series heaters include a Nema 1 control box with electronic flame safeguard system with ignition transformer, motor starter, control transformer, high temperature limit switch, air flow switch, and a gas electrical control system.

#### 5. Control System

The standard control system for Hi-Lo-Off burner operation is obtained with a two-stage thermostat that closes in sequence on a temperature drop below setpoint. Fan operation is continuous. A detailed sequence of operation for standard gas-fired heaters is provided later in this manual. The thermostat is factory furnished and wired in the inlet plenum.

The optional On-Off control system is obtained with a single pole, single throw thermostat that closes upon a temperature drop below setpoint. Fan operation is continuous. Thermostat is factory furnished and wired in the inlet plenum.

The optional modulating control system has an On-Off thermostat as described above plus a modulating thermostat to control a modulating butterfly fuel valve. Fan operation is continuous. Thermostats are factory furnished and wired in the inlet plenum.

#### 6. Remote Control Panel (Optional)

The optional panel is furnished with a heavy duty toggle switch and three 115 volt signal lights as depicted in Figure 5. The switch controls the blower and the burner. The signal lights indicate supply blower operation (white light marked

“blower”), burner operation (amber light marked “heating”), and safety lockout (red light marked “lockout”). Remote control panel lids are 16 gauge brushed stainless steel.

Wiring box dimensions are 8” x 5” x 3-1/2” deep. All wiring is 16 AWG 16/30 standard 105 thermoplastic or equivalent, color coded per corresponding wiring diagram.

## SECTION II. – INSTALLATION PROCEDURE

This equipment shall be installed and wired in accordance with regulations of the National Board of Fire Underwriters, National Electric Code, and local governing bodies. The following recommendations are not intended to supplant any requirements of federal, state, or local codes having jurisdiction. Authorities having jurisdiction should be consulted before installations are made. Local codes may require additional safety controls and/or interlocks.

### A. HANDLING THE EQUIPMENT

The Aeroflo unit has been designed for rigging and handling through the use of special lifting lug hooks installed on the top of each section. As explained previously, the unit is designed for shipping in three sections. The fan section, burner section, and discharge plenum section must be reassembled in the field.

When unloading and setting the heater, use the lifting lugs provided or move the sections on rollers. Hooks, jacks, or chains must not be used around the casing, exhaust fan, or main control panel. **DO NOT LIFT UNIT USING COMBUSTION CHAMBER BRACKETS.**

For convenience in shipping, the discharge plenum section sits on top of the fan section. Please note that the lifting lugs on the rear of the fan section are manufactured so that the burner section will fit on the fan section only one way. Figure 1 depicts a typical unit assembly.

To be properly set, the Aeroflo unit should be placed on a solid foundation and set exactly as detailed later.

During transit, unloading, and setting of the unit, bolts and nuts may have become loosened, particularly in the pillow block ball bearing assemblies on the fan section. It is recommended that all nuts and set screws be tightened. Turn fan shafts by hand to make certain that propeller fan does not rub against fan venturi, and that bearing lock rings are tight.

Open the cover on the electrical control box located near the middle on the side of the burner section. Box can be opened by turning main disconnect switch to the “off” position. Inspect all wire terminals and wiring terminations to ensure that all connections are tight.

### B. POSITIONING THE UNIT

Locate the heater exactly level, making certain the minimum clearance is maintained between the heater, and any combustible material. The Underwriters Laboratories Inc., listing of the heater stipulates the following clearances: 48” from main control

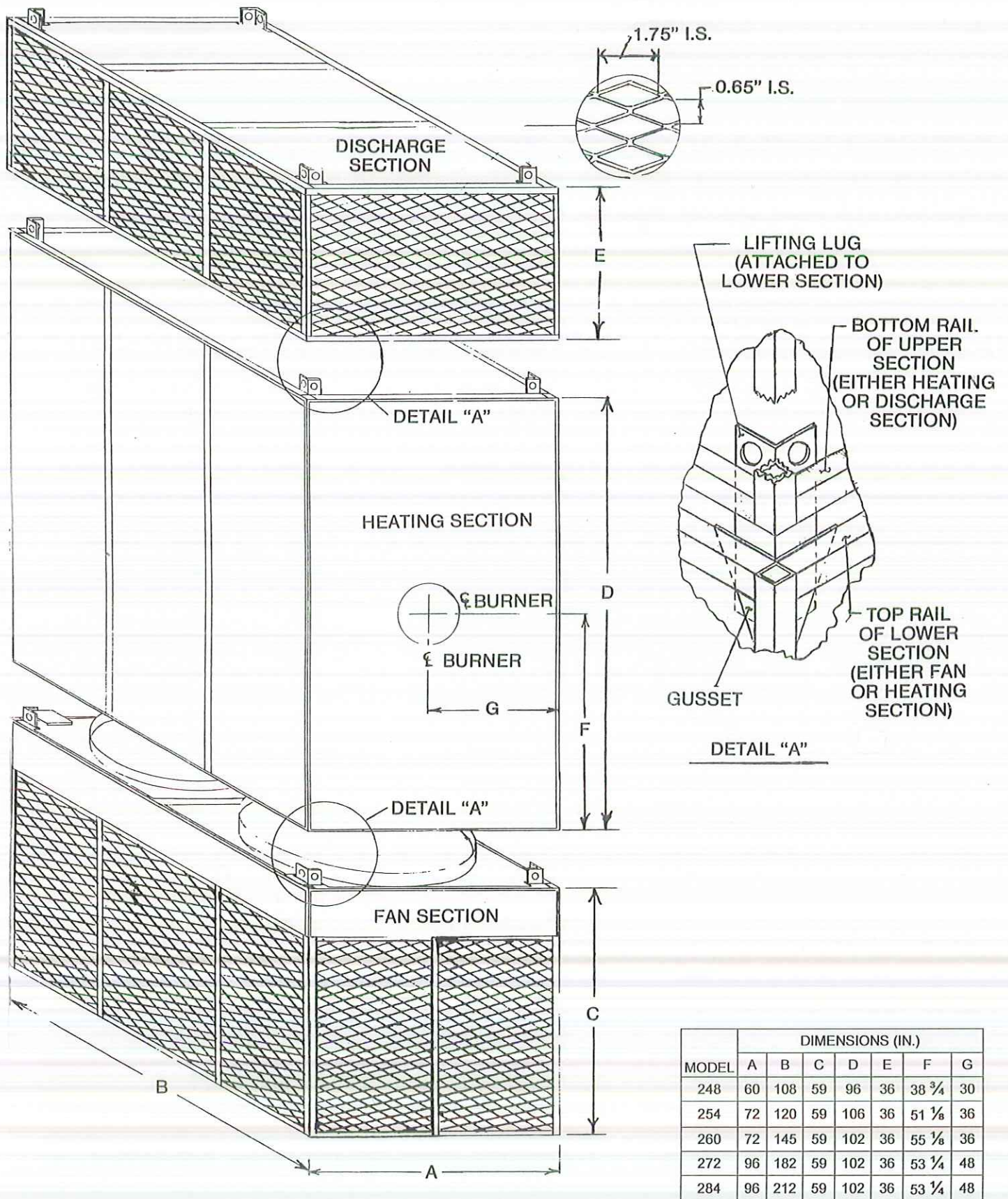


Figure 1 – Typical AFX Heater Assembly

panel located at the burner end, 18" at the rear, both sides and top. The exhaust stack clearance must be 18". See page 11 for stack details.

For convenient access for maintenance, provide 24" clearance at the right side, as seen when facing the burner, and 36" at the rear. Position the heater, if practical, with the left hand side (as seen from burner end) next to any adjacent wall.

#### C. LOCATION OF ACCESSORIES

Where applicable, standard or optional accessories will be placed inside the fan section of the unit for shipment, and must be removed and installed by the mechanical or electrical contractor.

#### D. ELECTRICAL CONNECTIONS

All wiring must comply with all applicable local, state, provincial, and national electric codes. Since shipment of unit requires disassembly after factory flame test, reconnection of main fan motor leads will be required in the field. Connect electrical wires (supplied in factory furnished conduit) to secondary side of main fan motor starters. All motor leads are tagged to facilitate rewiring in the field. See wiring diagram provided with equipment. Complete all wiring to any optional accessories as shown on unit bill of material and electrical wiring diagram as required before applying voltage to the unit.

The total amperage of the main disconnect switch, blower motor, and control circuit transformer fusing is affected by the addition of 25% to the full load amps as required by the National Electric Code.

Check the supply voltage before energizing the unit. The maximum voltage variations should not exceed  $\pm 10\%$ . Phase voltage unbalance must not exceed 2%.

#### E. PIPING CONNECTIONS

All gas piping connections are not shown in this manual because of the many manifold arrangements available due to approval code requirements and different types of modulation. All piping must comply with "Standards of National Board of Fire Underwriters" and all applicable local codes. Contact factory if exact piping dimensions are required. Protective pipe caps are furnished on manifolds for shipment from factory; these caps should be removed for installation.

Run correctly sized piping to unit. Install manual gas hand shut-off valve and gas pressure regulator if not already installed. Please note that gas line pressure must be as shown on specification plate when unit is operating at full input.

##### 1. Fuel Piping – Gas models

Figure 2 presents a table of gas piping sizes for varying flow rates. A typical Hi-Lo-Off gas piping manifold is shown in Figure 3. Gas burner connection will vary between 1" and 3" depending on the Aeroflo model and type of gas.

On gas systems, vent pressure regulator(s) and vent valve (if included with unit) to outside of building. With vent pipe outside, install a proper vent cap and/or screen to prevent entrance of foreign material and plugging.

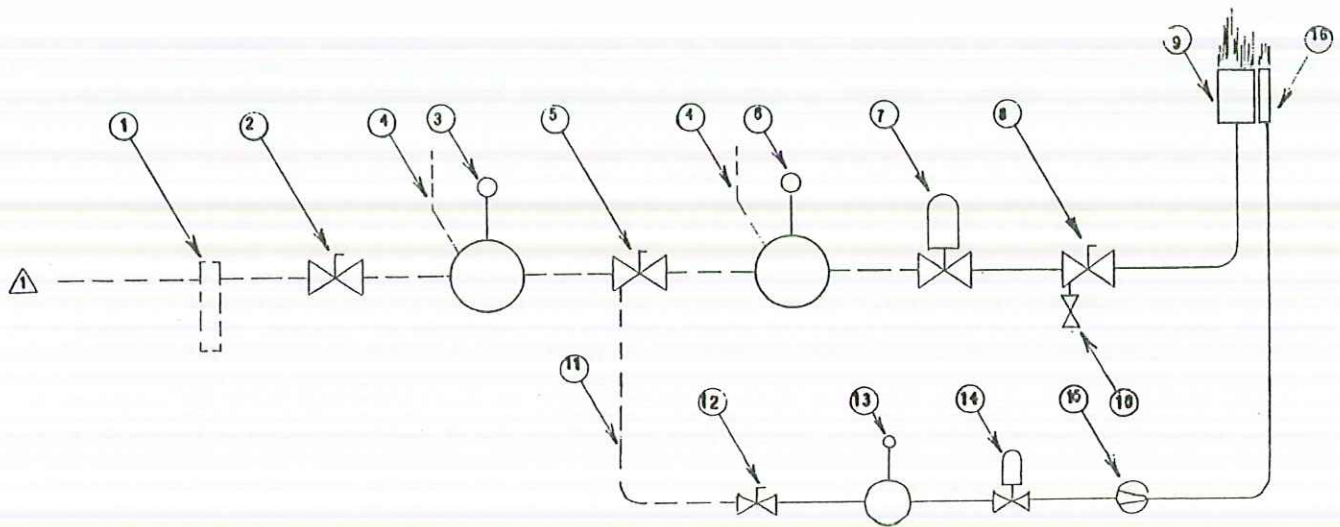
Length of Pipe (Equiv. Ft.)	GAS FLOW CAPACITY (CFH)									
	Iron Pipe Size (IPS) Inches									
	1/2	3/4	1	1-1/4	1-1/2	2	3	4	6	8
15	76	172	345	750	1220	2480	6500	13880	38700	79000
30	52	120	241	535	850	1780	4700	9700	27370	55850
45	43	99	199	435	700	1470	3900	7900	23350	45600
60	38	86	173	380	610	1290	3450	6800	19330	39500
75		77	155	345	545	1120	3000	6000	17310	35300
90		70	141	310	490	1000	2700	5500	15800	32250
105		65	131	285	450	920	2450	5100	14620	29850
120			120	270	420	860	2300	4800	13680	27920
150			109	242	380	780	2090	4350	12240	25000
180			100	225	350	720	1950	4000	11160	22800
210			92	205	320	660	1780	3700	10330	21100
240				190	300	620	1680	3490	9600	19740
270				178	285	580	1580	3250	9000	18610
300				170	270	545	1490	3000	8500	17660
450				140	226	450	1230	2500	7000	14420
600				119	192	390	1030	2130	6000	12480

**A. Pressure: 1/2 # or Less**

Length of Pipe (Equiv. Ft.)	GAS FLOW CAPACITY (CFH)									
	Iron Pipe Size (IPS) Inches									
		1	1-1/4	1-1/2	2	3	4	6	8	
50		244	537	832	1680	5018	8464	22472	41516	
100		173	380	588	1188	3549	5986	15894	29364	
150		141	310	480	970	2896	4885	12972	23965	
200		122	268	416	840	2509	4232	11238	20760	
250		109	240	372	751	2244	3785	10050	18567	
300		99	219	339	685	2047	3454	9170	16943	
400		86	189	294	594	1774	2992	7945	14679	
500		77	169	263	531	1587	2677	7108	13132	
1000		54	119	185	375	1121	1891	5022	9279	
1500		44	97	151	309	915	1544	4101	7577	
2000		38	84	131	265	793	1338	3554	6567	

**B. Pressure: 1/2 # to 1#**

Figure 2 – Gas Flow Capacity for Piping of Different Sizes and Lengths



ITEM	DESCRIPTION	Furnished and Installed by Others		
		Furnished by Factory, Installed by Others	Factory Furnished and Installed	
1	Drip Leg			•
2	Main Gas High Pressure Hand Shut-Off Valve (If Required)		•	
3	Main Gas High Pressure Regulator (If Required)		•	
4	Vent Line Thru Roof To Outside Atmosphere			•
5	Main Gas Hand Shut-Off Valve		•	
6	Main Gas Pressure regulator		•	
7	Safety Shut-Off Valve	•		
8	Manual Leak Test Hand Valve	•		
9	Main Gas Burner	•		
10	Leak Test Petcock With Plugged Test Connection	•		
11	Pilot Gas Supply Line			•
12	Pilot Gas Hand Valve	•		
13	Pilot Gas Pressure Regulator	•		
14	Pilot Gas Solenoid Valve	•		
15	Needle Valve (If Required)	•		
16	Pilot Gas Burner	•		

1 To Natural Gas Or Propane Fuel Supply.

Figure 3 – Typical Hi-Lo-Off Gas Piping for Aeroflo AFX Series Heaters

F. EXHAUST DUCT CONNECTION

Installation of exhaust stack must comply with regulations of the National Board of Fire Underwriters and local governing bodies.

The exhaust stack, exhaust stack connector, exhaust stack support and miscellaneous items related to the exhaust stack are to be supplied and installed by others.

Connect the exhaust stack to the heater breeching box and run stack through roof as shown in Figure 4. Avoid use of long horizontal exhaust pipe runs; the exhauster fan has ample capacity for venting the heater, but cannot perform satisfactorily against strong back drafts or excessive stack resistance.

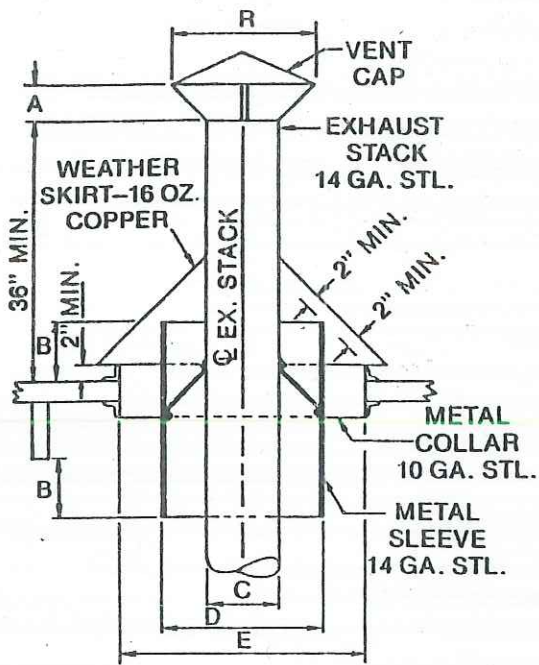
G. COMBUSTION AIR OPENINGS

When the heaters are installed in a separate heater room with fresh air and return air ducts running direct to the base of the heater, or when the plant is under a high negative pressure condition, provisions should be made for an outside source of combustion air. A conservative rule of thumb for estimating the inlet area required is 90 square inches per 1,000,000 BTU/HR heater output. The following table lists the recommended free area of vent opening in the outside wall for various heater sizes.

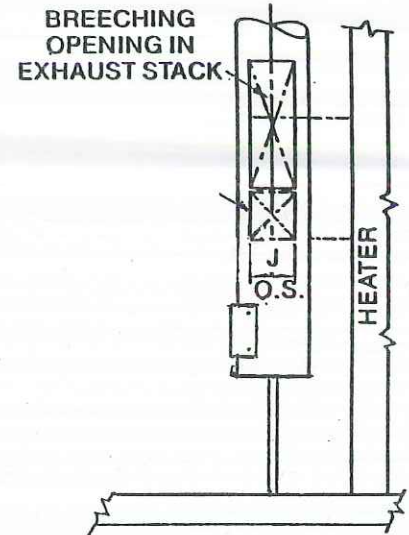
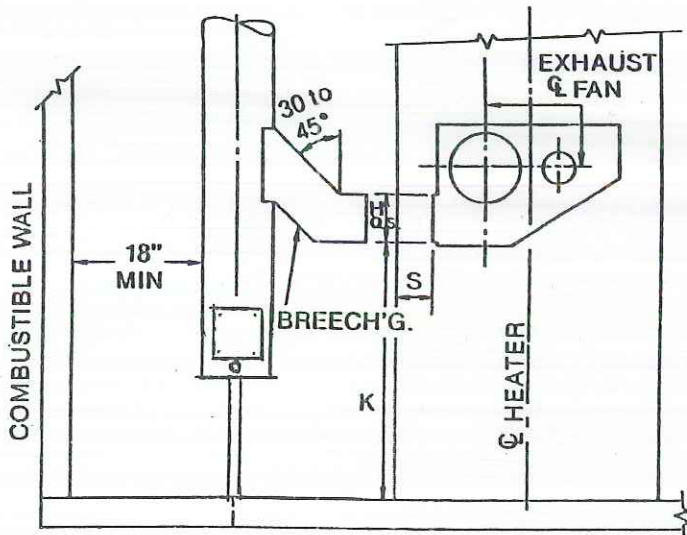
<u>HEATER SIZE MBH OUTPUT</u>	<u>AREA OF COMBUSTION AIR INTAKE OPENING – SQ. INCHES</u>	<u>CONNECTING DUCT DIAMATER - INCHES</u>
1000	90	11
1250	113	12
1500	135	13
1750	158	14
2000	180	14
2250	202	16
2500	225	18
2750	248	18
3000	270	19
3250	292	20
3500	315	20
4500	405	24

## H. OPTIONAL REMOTE CONTROL PANEL INSTALLATION

1. Refer to Figure 5 for guidelines.
2. All wiring must comply with applicable electric codes.
3. Align box with spirit level.
4. If box is to be surface mounted, three (3) mounting holes in back of box are recommended, one in each top corner and one at bottom center. If mounting holes are to be located in side of box as shown, four (4) holes are recommended, two at top and two at bottom.
5. If wiring box is to be recessed, install so that open edge of box will be flush with finish wall. Install optional flush mounting wall plate. Examine wiring box and control panel for clearance before providing conduit hole(s).
6. Control panel is furnished with components wired to coded terminal strip. Installer to connect numbered terminal blocks on remote control panel to corresponding terminal block(s) in master control panel on unit.
7. Use proper wire sizing practices when running wires for the remote control panel.



- NOTES:
1. LOCAL CODES SHOULD BE CHECKED BEFORE INSTALLATION IS MADE.
  2. IF STACK GOES THRU COMBUSTIBLE SIDE WALL THERE SHOULD BE A MINIMUM OF 18" BETWEEN STACK AND COMBUSTIBLE MATERIAL. DISTANCE MAY BE REDUCED WHEN AN INSULATED OR VENTILATED SLEEVE IS USED.
  3. USE D1 AND E1 FOR ORDERS WITH FM APPROVAL.



MODEL	MBTUH OUTPUT	A	B	C	D	D'	E	E'	H	J	R	S	K
248	UP TO 1000	6	12	10	18	20	24	28	9-11/16	5	24	16	124-7/8
	1250 TO 2000	↓	↓	12	↓	↓	↓	↓	↓	↓	↓	↓	↓
254	UP TO 1000	6	12	10	18	20	24	28	9-11/16	5	24	14-9/16	59-1/2
	1250 TO 2000	↓	↓	12	↓	↓	↓	↓	↓	↓	↓	↓	↓
260	1250 TO 2500	10-1/2	16	12	22	24	28	32	11-5/16	5-5/8	37-1/4	8-9/16	62-1/2
	2750	↓	↓	16	↓	↓	↓	↓	↓	↓	↓	↓	↓
272	1750 TO 2599	14	18	12	24	26	30	34	11-5/16	5-5/8	48	17-1/4	59-1/2
	2750 TO 3250	↓	↓	16	↓	↓	↓	↓	↓	↓	↓	↓	↓
	3500	↓	↓	18	↓	↓	↓	↓	↓	↓	↓	↓	↓
284	2250 TO 2500	14	18	12	24	26	30	34	11-5/16	5-5/8	48	17-1/4	59-1/2
	2750 TO 3250	↓	↓	16	↓	↓	↓	↓	↓	↓	↓	↓	↓
	3500	↓	↓	18	↓	↓	↓	↓	↓	↓	↓	↓	↓
360	4500	16	20	18	24	26	36	40	11-3/8	5-5/8	48	9-1/4	33

All Dimensions In Inches

Figure 4 – Exhaust Details for Aeroflo AFX Series Heaters

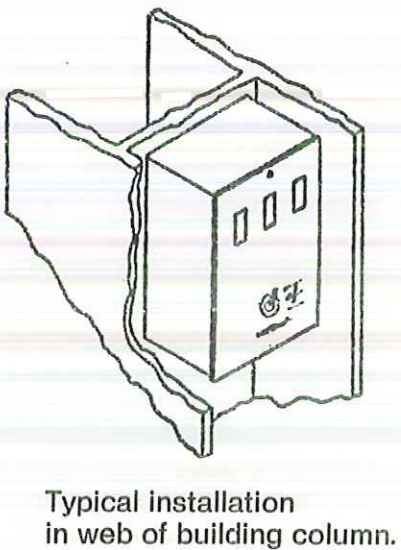
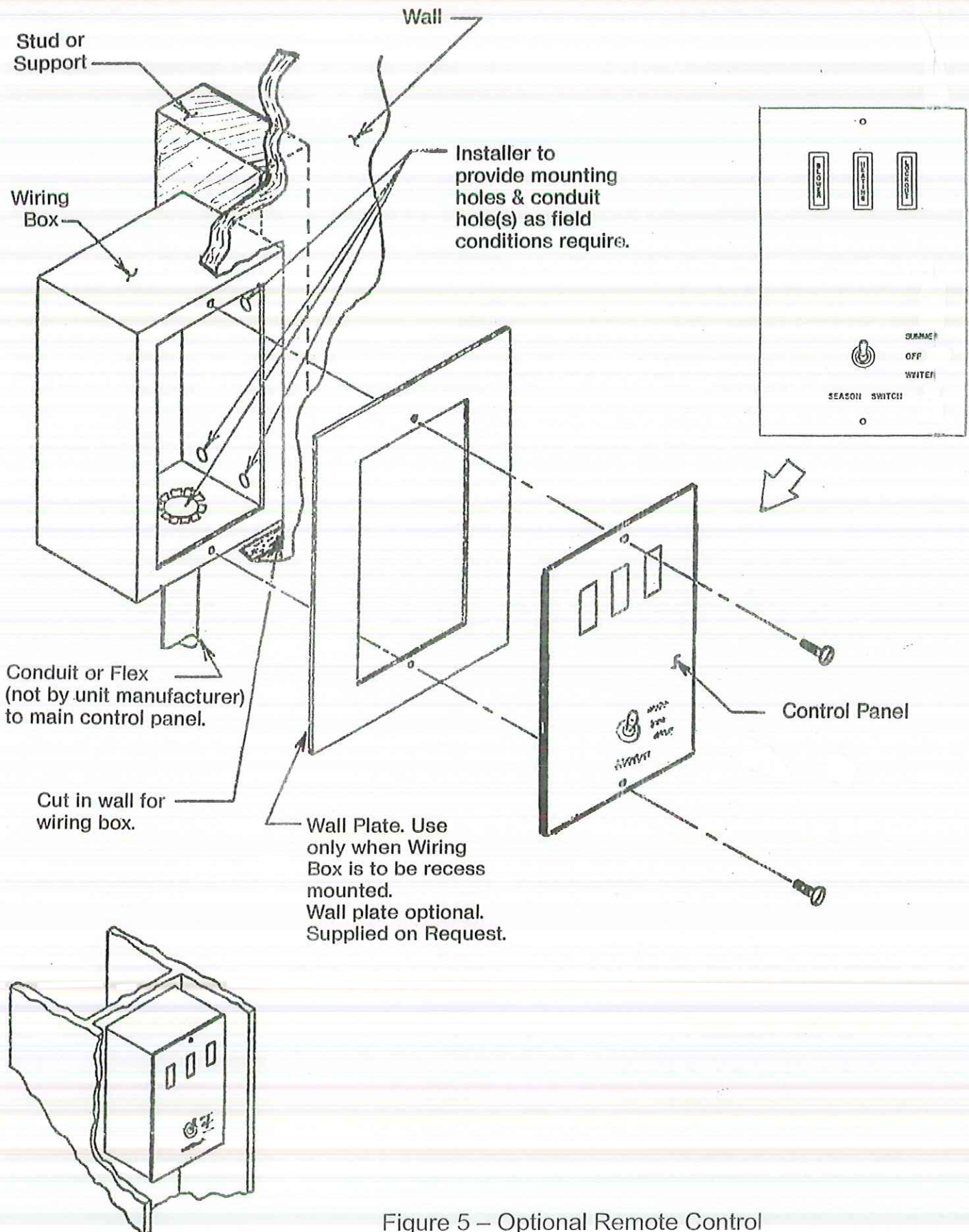


Figure 5 – Optional Remote Control Panel Installation

### SECTION III. – PRE-START INSPECTION

A pre-start inspection is extremely important and should be completed with greatest attention given to detail. This will insure against possible unit damage on start-up and will save valuable analysis time in the event malfunctions occur on start-up and check-out.

#### A. PROCEDURE

1. Check to see that all factory installed pipe plugs have been removed.
2. Check supply voltage against unit voltage.
3. Check all electrical connections in the main control panel.
4. Check that all fuses are installed and that fuse sizing agrees with the unit bill of material.
5. Check to see if all gas connections are tight and that all joints have been properly lubricated.
6. Check positioning of flame rod and spark rod. Make sure the combustion air fan is fastened securely to motor shaft.
7. Check for cracks in refractory around the blast tube. This inspection requires close observation with the aid of a good flashlight. Even a tiny crack can cause a positive pressure within the combustion chamber and result in faulty burner operation.
8. Check fan supply area to insure freedom of shaft rotation and proper belt tension. Check to see that fans are tight on shaft and turn freely without rubbing the fan venture. The motor and shaft should turn readily by hand pull of the belts. Properly adjusted belts can be easily depressed about one inch. Make sure the fan shaft pillow block bearings are tight.
9. Check fan motor to insure that pulleys are secure and drive belts are tight.
10. Check all areas for cleanliness.

### SECTION IV. – START-UP

All safety and operating controls have been checked during the factory test period; however, it is advisable to complete a similar check when first operating the unit. Before attempting any service work, make sure all electrical switches and manual valves are closed.

#### A. PROCEDURE

1. Remove any shipping blocks from:
  - a. Gas Pressure switch(s) (if required) may have shipping screws. Remove screws if supplied
  - b. Unit programming controller may be shipped with a paper shipping block. Remove programmer cover and remove paper shipping block – reinstall cover and adjust manual reset.
  - c. The high limit should be set for 200°F. The fan control should be set at 120°F. on high and 90°F on low. Note that fan operation is continuous and that control circuit on high side is not required for proper system operation.

- d. Combustion air, exhaust air, and rear main fan air proving switches are factory set for 0.2" to 0.4" w.c.
2. Open pilot gas cock and purge air from gas line through plugged tee in pilot line. Caution: Use a lighted torch to ignite the gas as air is purged from the pilot gas line. Do not depend on sensing the odor of gas to determine if the gas line is purged.
3. Push reset button on unit programming controller.
4. Close main disconnect switch.
5. The On-Off burner switch on the master control panel will operate the fans.
6. All three phase motors were properly phased during factory testing. If rotation is reversed, interrupt main power supply and interchange any two of the incoming power leads. Reestablish power and recheck fan operation.
7. On three phase units, the starter contacts should pull in and hold quietly without "clatter". If they do not operate quietly, check immediately for proper line voltage. Even temporary low voltage at start-up will cause constant operating trouble and must be corrected before the Aeroflo heater is placed in service.
8. Recheck all set screws on motor sheave and fan blade. Check alignment of belts and pulleys. Run fans for a few minutes and adjust motor take-up if necessary. Motors are mounted on an adjustable base shown on Figure 6. Do not over-tighten belts since excessive tension will reduce belt life and cause excessive load on bearings. After initial start, allow the belts a few days running time to become seated in pulley grooves, then readjust as necessary. Do not roll belts over grooves or sheaves as this will result in permanent belt damage.
9. Open manual hand valves. After manual valves have been opened, burner should ignite automatically if thermostat is in control circuit.
10. The burner assembly for Aeroflo heaters generally requires readjustment of the flame test settings for proper operation under actual field conditions. The most accurate guides to proper burner adjustment are:
  - a. Flame travel within the combustion chamber.
  - b. Temperature and CO<sub>2</sub>, O<sub>2</sub>, CO and percentage of excess air content of the flue gasses.
  - c. Proper action of the flame rod sensor.

**WARNING: Never stand within the swing radius of the access door when making flame observations through the peephole.**

Proper flame travel within the stainless steel combustion chamber differs from the pattern usually desired for a refractory lined furnace. Never adjust the burner to produce a short "bushy" flame concentrated in the front of the chamber as shown in figure 7A. Such a flame concentrates heat release in the front end of the chamber and creates a short circuit between the burner and economizer tube section which results in high stack temperature. Figure 7B illustrates a flame that is much too long and will cause over-heating of the rear wall. A correct flame should be fairly vigorous, free of smoky haze, and should barely impinge on the rear wall of the chamber. Figure 7C illustrates proper flame travel. This long steady flame provides adequate time for complete combustion and balanced heat release to all surfaces of the chamber. Typical draft conditions are noted in Figure 8 for firing at full rate capacity. Adjust to field conditions when necessary.

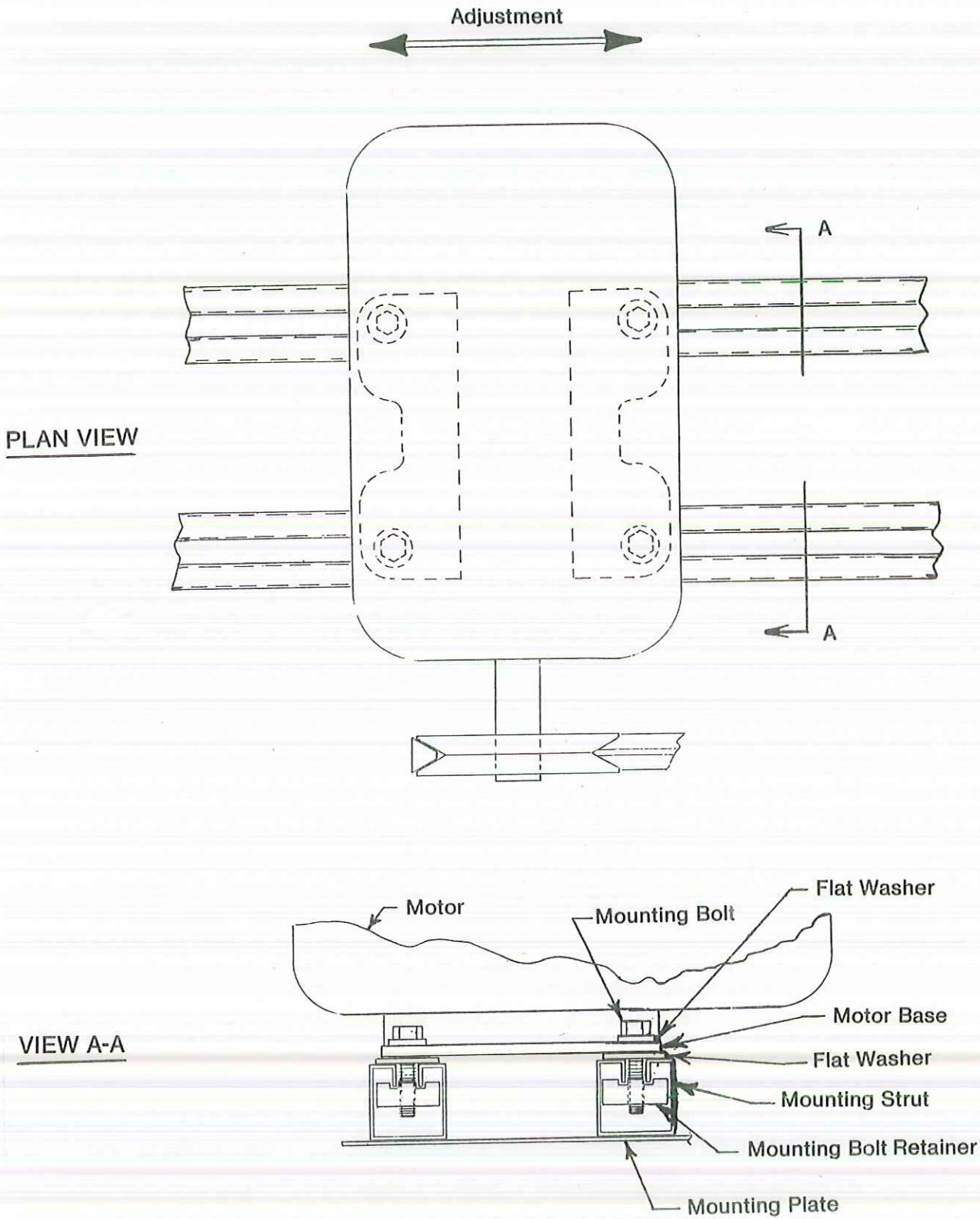
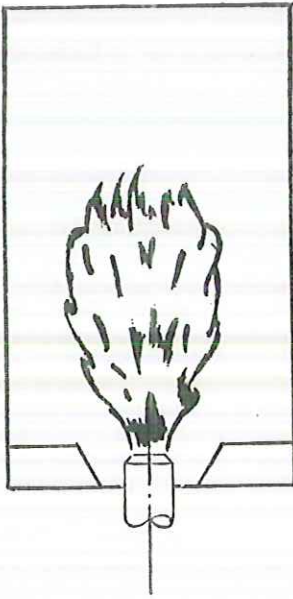
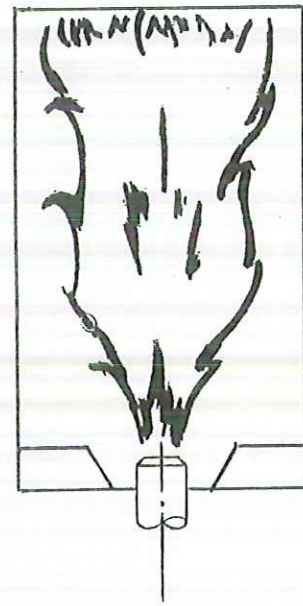


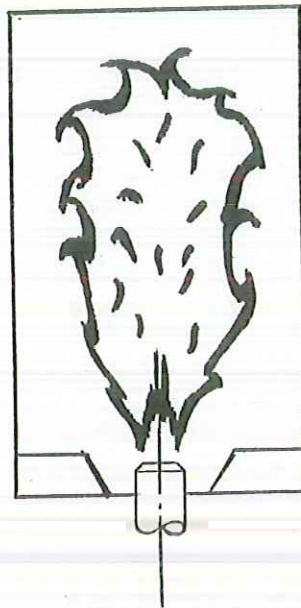
Figure 6 – Motor Adjustment diagram for AeroFlo AFX Series Heaters



A. Flame Too Short



B. Flame Too Long



C. Proper Flame

Figure 7 – Flame Patterns

<u>AFX MODEL #</u>	<u>FULL RATED MBH OUTPUT</u>	<u>EXHAUSTER RPM</u>	<u>CHAMBER PRESSURE (NEG. " W.C.)</u>	<u>BREECHING PRESSURE (POS. " W.C.)</u>
248	850	1640	.75	1.10
	1000	1640	.60	1.10
	1250	1640	.55	1.10
	1500	1640	.50	1.10
	1750	1875	.70	1.25
	2000	2130	.55	1.40
254	100	1800	1.00	1.00
	1250	1800	.95	1.05
	1750	1800	.70	1.25
	2000	1800	.55	1.40
260	1250	1635	1.00	1.50
	1500	1635	.95	1.60
	1750	1635	.88	1.70
	2250	1635	.70	1.90
	2500	1635	.60	2.00
272/284	1750	1850	1.08	1.20
	2000	1850	1.05	1.25
	2250	1850	1.00	1.30
	2500	1850	.87	1.45
	2750	1850	.75	1.60
	3000	1850	.65	1.75
	3250	1850	.55	1.90
	3500	1850	.50	2.00
360	4500	1850	.40	1.65

Note: Values shown are those obtained when firing at full rated output.

Figure 8 – Typical Draft Conditions for Aeroflo AFX Series Heaters

## 12. Burner Start-up

Open the air louver on the air inlet to approximately the one-half open position. Open the manual gas valve slowly, burner will ignite. Open valve until gas pressure on the gauge is approximately 4 ounces. Observe flame conditions. If gas flame has yellow or yellow tip appearance, open combustion air louver wider until flame appears short and hard.

Adjust gas pressure regulator to hold 4 ounces gas pressure on burner while firing with the manual gas cock in the wide open position. Read gas meter serving burner, input should be approximately that stated on the burner name plate. If not, readjust regulator to obtain rated input. NOTE: Check to see if other appliances are on before reading meter.

When the gas input rate is established, air adjustments may be made. The final air setting should produce a flue gas analysis of between 8-1/2% and 9-1/2% CO<sub>2</sub>, 5-1/2% to 6-1/2% O<sub>2</sub> with 0 ppm to 10 ppm of CO and 23% to 30% excess air. Your local gas utility may aid you in making burner adjustments if you do not have the proper instruments.

Start and stop burner several times to insure proper operation. Check for proper functioning of high limit and operating control. Burner is now ready for normal operation.

13. The typical sequence of operation for two-stage gas-fired units is as follows:
  - a. Closing fused disconnect switch (FD) will energize 115 volt control circuit through control transformer (T2).
  - b. The On-Off burner switch (XB) on the master control panel will operate the fans. Unit burner operation is controlled by two-stage thermostat (TT). Blower motors (M1A and M1B) will operate through blower motor starters (1MA and 1MB) if starter overloads are all operational. The bonnet fan switch will remain in the electrical circuit after burner shutdown until blower has cooled heat exchanger to a temperature below the setpoint of the control.
  - c. After continuous flame has been established, ignition transformer and pilot valve drop out of circuit.
  - d. If safety shutdown should occur upon failure to ignite pilot, failure to light the main burner flame, or loss of flame while main burner is firing, the internal lockout switch will trip and lockout the protectorelay.

## SECTION V. – MAINTENANCE SCHEDULE AND LUBRICATION REQUIREMENTS

### A. MAINTENANCE SCHEDULE

#### Weekly

1. Check that fan belts are tight and sheaves are lined up.
2. Check gas pressure at burner.

#### Monthly

1. Check all valves, piping and connections for leaks.

2. Check combustion air louver settings as outlined in burner start-up procedure.
3. Remove pilot assembly and check spark electrode, flame rod settings, and pilot head.
4. Repeat control system check-out.

Quarterly

1. Check limit control to insure operation.
2. Check stack condition and stack connection, supports and draft.
3. Lubricate exhaust pillow block ball bearing units with a good grade of ball bearing grease.

Yearly

1. Remove rear access plate and clean out economizer tubes. (Place receptacle to collect soot as the swirlers are pulled out. Do not operate fans while access plate is off as considerable soot may be blown into surrounding area.) Be sure gasket is properly seated when replacing the access plate.
2. Inspect refractory around burner. If cracked or damaged, repair or replace.
3. Clean exhaust fan wheels.
4. Remove burner pilot assembly, inspect flame rod and spark rod.
5. Lubricate burner motor.
6. Lubricate fan motor as directed by motor manufacturer and inspect fan motor wiring for loose connections.
7. Check all control settings as outlined.
8. Clean gas pressure regulator.
9. Turn main disconnect switch to “off” and open control box. Make sure controls are free from dust and grease. Check and clean relay and starter contacts, and inspect for loose wiring. Do not use file, sandpaper, or other abrasives to clean contacts – clean with notebook or heavy wrapping paper, not newspaper.

Note: Keep screened air intakes clear of obstructions at all times – failure to do so will result in equipment damage.

**B. LUBRICATION INSTRUCTIONS**

<u>Item</u>	<u>Manufacturer</u>	<u>Bearing Type</u>	<u>Recommendation</u>
All 3 phase fan motors (1 HP to 100 HP) ODP or TEFC	U.S. or equal	Single row ball bearings	Note #2
Fractional HP exhauster motors, single phase, ODP or TEFC	Century, G.E., or equal	Bronze sleeve bearings	Note #3
Fractional HP burner motors, single phase, ODP or TEFC	Century, G.E., or equal	Bronze sleeve bearings	Note #3
Fan shaft bearings	Fafner or equal	Self-aligning single row ball bearings, resilient mounted	Note #1

Notes:

1. Sealed at factory – no lubrication required.
2. Remove top and bottom grease plugs. Install lubrication fitting in place of top

- plug. Annually flush with lithium base grease, consistency #2, until clean grease is discharged from bottom hole. Run motor with drain plug removed until grease stops flowing from drain. Reinstall drain plug.
3. Annually add ½ to 1 teaspoon of grade SAE 30 motor oil to each bearing. Add oil slowly so that felt packing will absorb the oil properly.

## SECTION VI. – TROUBLESHOOTING

### A. TROUBLESHOOTING GAS-FIRED UNITS

1. If blower fails to operate, check to see if:
  - a. Main disconnect switch or circuit breaker is closed.
  - b. All main fuses (if disconnect switch used) are in line.
  - c. Control transformer is supplying 115 volts to control circuit.
  - d. Burner switch in master control panel is “on”.
  - e. High limit control is in circuit (manual reset switch).
  - f. Magnetic motor starter is in circuit (manual reset starter).
  - g. There are any loose wires or connections in blower circuit at either terminal block or control components.
  - h. Bonnet fan switch is in electrical circuit (burner must be operative).

Also check the following optional controls, if used, to see if:

- a. Main gas cock is open – units equipped with manual reset low gas pressure switch must have gas at switch for proper switch operation.
  - b. Low gas pressure switch in circuit (manual reset switch).
  - c. High gas pressure switch in circuit (manual reset switch).
2. If exhauster or combustion air fans fail to operate, check to see if:
    - a. Burner switch in master control panel is “on”.
    - b. Room thermostat is operational and ambient space temperature is not above thermostat set point.
    - c. High limit switch is in electrical circuit.
    - d. Programming relay is functioning properly.
    - e. Exhauster/burner starters, or relays if required, are operational and the fuses that protect them functional.
  3. If pilot fails to light, check to see if:
    - a. Proper exhaust air/combustion air is being sensed by exhauster/burner air flow switches.
    - b. Ignition system is operational.
    - c. Programming relay is functioning properly.
  4. If main flame is not established, check to see if:
    - a. Pilot has been established.
    - b. Flame detector is sensing pilot.
    - c. Programming relay is functioning properly.

### B. GENERAL TROUBLESHOOTING TIPS

1. If blower operates and burner fails to operate, check to see if:
  - a. Programming relay is in safety lockout.
  - b. Ignition transformer is functioning properly.
  - c. Flame rod wire and spark rod ignition wire have loose connections and/or reversed wires.
  - d. Any flame rod or spark rod insulators are cracked; replace as required.
  - e. Pilot gas valve is open and that pilot has been lit (purge pilot gas line to

eliminate any air).

- f. A three to four microamp or 4-10VDC reading of pilot is being attained.
- g. Main gas valve(s) is open.

If burner ignites, but modulating valve fails to open, check to see if:

- a. Motor and controller and/or thermostat are wired properly.
  - b. Discharge temperature controller or modulating room thermostat (if butterfly system is being used) is in electrical control circuit.
2. Any optional electrical items that are ordered can be the cause of nuisance shutdowns; check these items for proper operation if failure occurs. Check the supplemental control sheet with each unit for optional component service.

At this point, all common causes of trouble have been covered and one or more of the remedies suggested should have corrected the malfunction. However, if the unit still does not function properly, notify the nearest Hastings HVAC, Inc. Field Service Engineer.



3606 Yost Avenue · Hastings, Nebraska 68901-1966  
Phone (402) 463-9821 · Fax (402) 462-8006  
[www.hastingshvac.com](http://www.hastingshvac.com)  
E-mail: [sales@hastingshvac.com](mailto:sales@hastingshvac.com)